

Heidelberg Wallbox Home Eco
Installation instructions

00.999.3023/01

A Installation instructions

| | |
|---|--------------|
| Installation instructions | A.1.1 |
| 1 Installation instructions | A.1.1 |
| 1.1 Safety | A.1.1 |
| 1.2 Prerequisites | A.1.1 |
| 1.3 Scope of supply/Enclosed accessories | A.1.1 |
| 1.4 Specifications | A.1.1 |
| 1.5 Mounting on the wall | A.1.2 |
| 1.6 Mounting on a column | A.1.5 |
| 1.7 Electrical connection | A.1.5 |
| 1.8 Commissioning | A.1.7 |
| 1.9 Contact address/Customer Sales Representative | A.1.8 |
| 1.10 Environment | A.1.8 |

00.110.9704-000000000002

1 Installation instructions

1.1 Safety

Before installing and starting up the Wallbox, please carefully read the enclosed safety instructions.

1.2 Prerequisites

- The Wallbox may only be operated when mounted vertically.
- If possible, the Wallbox should be mounted so that it is not directly exposed to rain e.g. to prevent icing, being damaged by hail or similar. Do not expose the Wallbox to direct sunlight because this can cause it to overheat.
- The individual phases of the supply voltage must each be protected with residual current devices and circuit breakers.
- No single wires may be used for power supply.
- The diameter of the supply line must be between 9 mm and 17 mm.
- The charging current of the Wallbox must be set in accordance with the building's circuit breakers. (The procedure is described in the "Electrical connection" section.)

1.3 Scope of supply/Enclosed accessories

- Mounting plate with electronics housing,
- Wallbox housing cover,
- 4x fillister head screws M4x10 (to attach the housing cover of the Wallbox),
- Cable gland ESKV25 (cable entry for power supply),
- Gasket EADR25, for cable gland ESKV25,
- Device documentation (safety instructions, installation instructions, operating manual).

1.4 Specifications

| Designation | Technical specifications |
|--------------------------|--------------------------|
| Regulations | IEC 61851-1 |
| Charging capacity type 3 | up to 11 kW |
| Nominal voltage | 230 V / 400 V / 1/3 AC |

| Designation | Technical specifications |
|-----------------------------------|--|
| Nominal current | up to 16 A adjustable from 6 A to 16 A in 2 A increments |
| Nominal frequency | 50 Hz |
| Connection method | Spring clip method |
| Charging connection/ coupler | Type 2 |
| Length of charging cable | 3.5, 5 m or 7.5 m |
| Operation/status informa- tion | Pushbutton with LED |
| Protection rating | IP54 |
| Residual current detection | AC 30 mA, DC 6 mA |
| Ventilation | No ventilation required |
| Ambient temperature | -25 C to +40 C |
| Protection class | I |
| Overvoltage category | III |
| Weight | approx. 8 kg |

Tab. 1

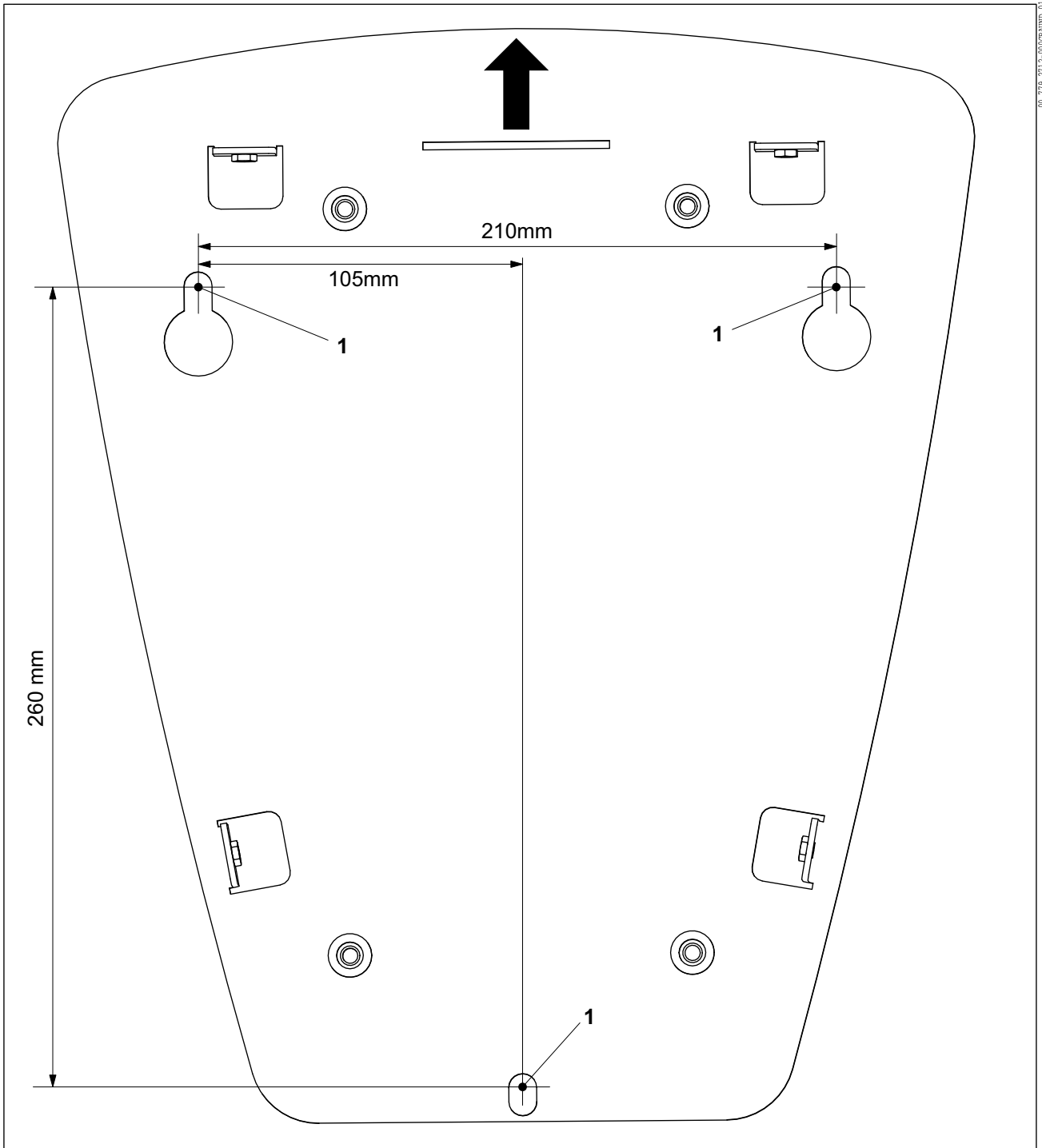
1.5 Mounting on the wall



Note

The following drilling plan is not to scale. It may not be used as a drilling template.

Please use only the specified dimensions from the drilling plan.



00.779.2712-0006A00D_01

Fig. 1 Drilling plan for the Heidelberg Wallbox Home Eco

Prerequisites

Recommended mounting height above the floor is 1.00 m -1.10 m up to the lower hole.

The mounted Wallbox must be able to withstand a load of at least 16 kg.

Installation steps

1. Mark the three mounting holes (Fig. 1/1) as shown on the drilling plan.
2. Drill and prepare the mounting holes according to the type of mounting surface (e.g. dowels for masonry). The screw diameter must not exceed 8 mm.
3. Screw in the two top fastening screws.

► **Note**

The fastening screws are not included in the scope of delivery due to the different types of mounting surfaces.

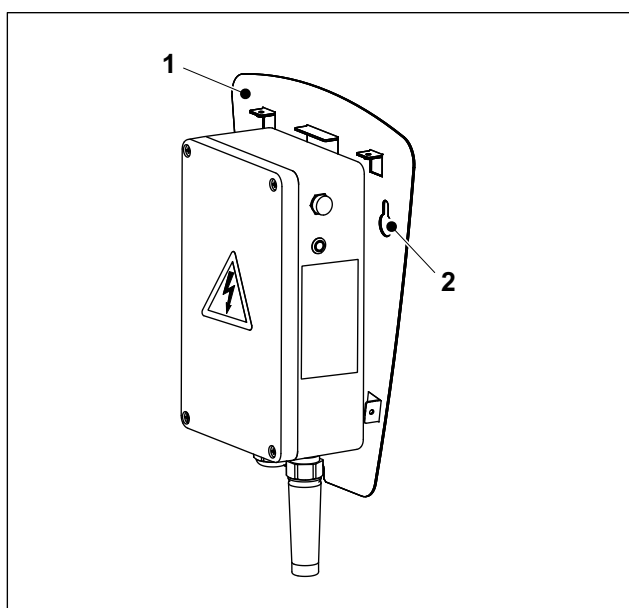


Fig. 2 Heidelberg Wallbox Home Eco, mounting plate

4. Hang the mounting plate (Fig. 2/1) of the Wallbox on the two fastening screws (slotted holes, Fig. 2/2).
5. Screw the third fastening screw into the lower hole.
6. Tighten the three fastening screws (approx. 12 Nm).

1.6 Mounting on a column

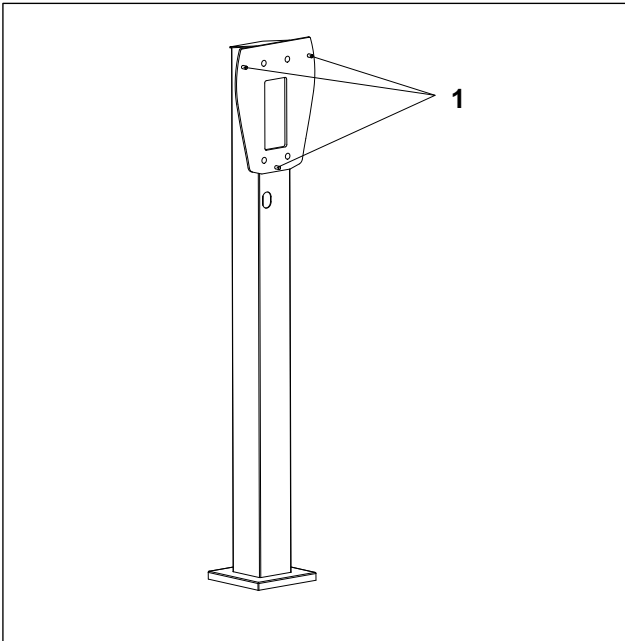


Fig. 3 Column with three attachment points

1. Hang the mounting plate of the Wallbox (Fig. 2/1) on the three stud bolts of the column (Fig. 3/1).
2. Screw the three nuts (separate parts set for the column) on the stud bolts (Fig. 3/1) and tighten (approx. 12 Nm).

1.7 Electrical connection

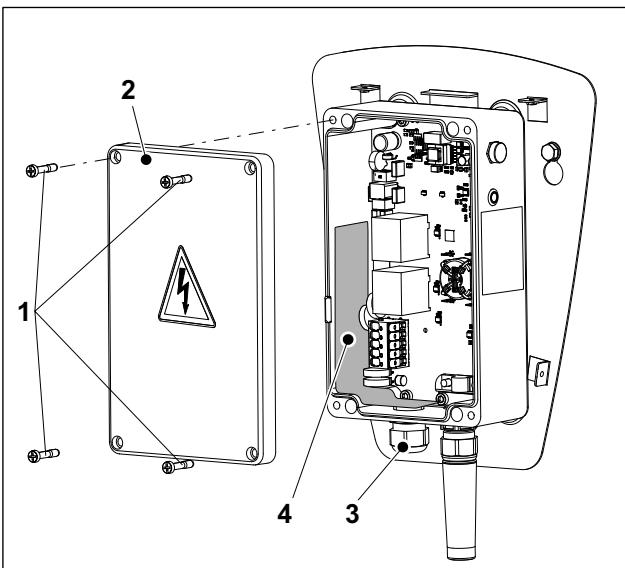


Fig. 4 Heidelberg Wallbox Home Eco, opened electronics housing

Prerequisites

The Wallbox can be connected with a single phase 1 AC 230 V or with three phases 3 AC 400 V.

1. Remove the four screws (Fig. 4/1) and take off the cover of the electronics housing (Fig. 4/2).
2. Screw the cable gland ESKV25 (enclosed accessories) with the respective gasket EADR25 (enclosed accessories) into the electronics housing (Fig. 4/3) and tighten (approx. 8 Nm).
3. Strip off maximum 13 cm jacket from the power supply cable.
4. Strip off approx. 11 to 13 mm insulation from the individual wires.
5. Follow the instructions on the sticker (Fig. 4/4) and then pierce the sticker on the cable entry.
6. Insert the connecting line into the cable gland.
7. Tighten the cap nuts of the cable gland (approx. 4 Nm).

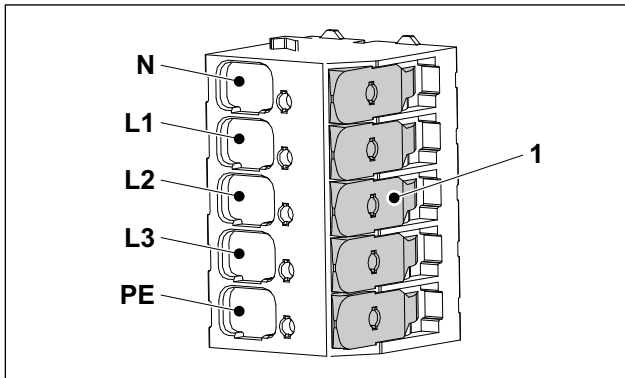


Fig. 5 Terminal clamps of the power supply unit

**Caution - Heed the terminal sequence.**

When clamping the connecting line, heed the sequence of the terminals. PE, L3, L2, L1, N.

Reverse polarity of the electrical connecting lines will destroy the electronics in the Wallbox!

- Connect the individual wires of the power supply cable as shown in the diagram (Fig. 5). If a single-phase supply voltage is used, it must be connected to L1. Terminals L2 and L3 are not used for a single-phase connection.

► **Note**

This is a tool-free terminal strip. Folding back the clamping lever (Fig. 5/1) opens the terminal so that the respective individual wire can be inserted. The respective clamping lever is then shut to secure the respective individual wire. Folding back more than one clamping lever at a time must be avoided.

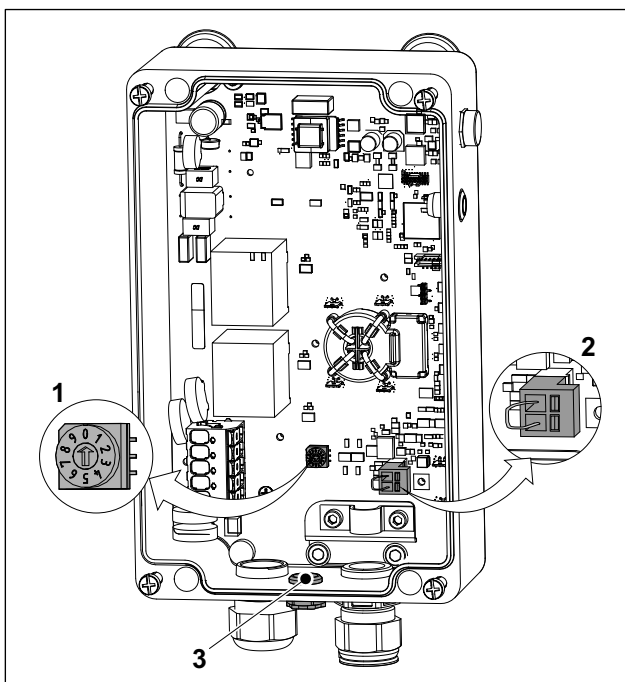


Fig. 6 Opened electronics housing

Setting the charging current

The charging current of the Wallbox must be set in accordance with the building's circuit breakers. Under no circumstances may the charging current be set higher than the respective circuit breaker.

The rotary switch (Fig. 6/1) is used to set the charging current from 6 to 16 A.

| | |
|---------|---------------------------------------|
| 0 | 6 A (default setting, delivery state) |
| 1 | 8 A |
| 2 | 10 A |
| 3 | 12 A |
| 4 | 14 A |
| 5 ... 9 | 16 A |

External enabling/disabling of the Wallbox

The Wallbox can be optionally disabled or enabled by means of external switching elements (e.g. key switch). For this, the plug (Fig. 6/2) in the electronics housing must be pulled out and the wire jumper removed. The now vacant contacts of the plug must then be connected to a two-pole lead that exits through the cable entry (Fig. 6/3) to the corresponding switching element.

The contacts of the switching element must be dimensioned so that they can switch zero-potential currents of approx. 30 mA/12 V.

9. Replace the lid of the electronics housing (Fig. 4/2) and tighten the four screws (2.5 Nm).
10. Replace the cover, fasten it with the four screws M4x10 (Fig. 7/1) and tighten them (1.8 Nm). The four screws are included in the enclosed accessories.

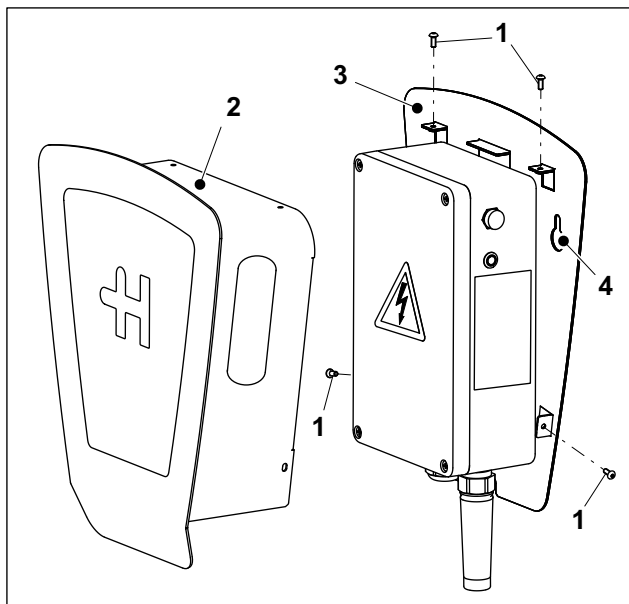


Fig. 7 Heidelberg Wallbox Home Eco with cover

1.8 Commissioning

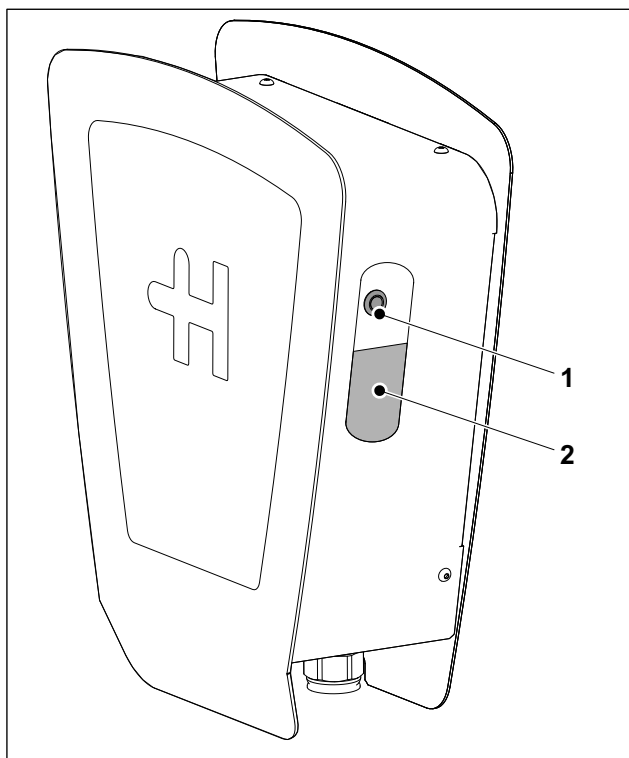


Fig. 8 Heidelberg Wallbox Home Eco

1 Pushbutton/LED combination

2 Nameplate

1. Provide power to the Wallbox.

Once the Wallbox is connected to the mains, the LED (Fig. 8/1) lights up green.

After approx. 12 min in the ready mode without being connected to a vehicle, the Wallbox changes into the standby mode and the LED goes out.

Wake up option 1:

- When the charging cable is plugged into the vehicle while the Wallbox is in the standby mode, it automatically switches to the ready mode. The LED lights up green.

Wake up option 2:

- When the button is pressed (without connected vehicle), the Wallbox changes from the standby mode to the ready mode. The LED lights up green and the charging cable can now be plugged into the vehicle.

As soon as the vehicle requests a charging process, the Wallbox enables the charging process and the LED (Fig. 8/1) blinks green.

- ▶ **Note**
If an external blocking device is used, when the vehicle is connected, it checks whether there is an external block (e.g. by means of a key switch or similar). As long as the external device has not enabled the Wallbox, the LED lights up yellow and no charging takes place. After the external device has enabled the Wallbox, the LED lights up green.
- ▶ **Note**
The procedure in case of a malfunction (LED lights up/blinks yellow or red) is described in the operating manual of the Wallbox.

1.9 Contact address/Customer Sales Representative

Hotline: +49 6222 82-2266

E-mail Wallbox@heidelberg.com

Contact language: German and English.

Website: <https://wallbox.heidelberg.com/>

1.10 Environment

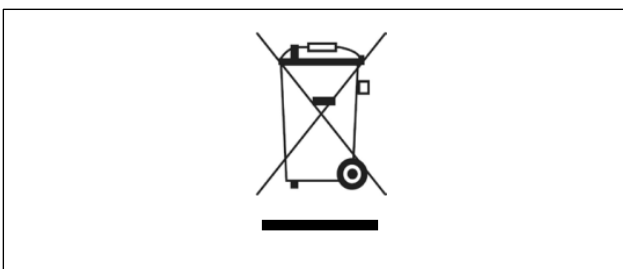


Fig. 9

This device is used for charging electrically powered vehicles and is thus regulated by EU Directive 2012/19/EU on waste electrical and electronic equipment (WEEE).

Its disposal must comply with the national and regional regulations for electrical and electronic equipment.

Waste equipment and batteries must not be disposed of by putting them in household or bulky waste. The device should be made inoperative before disposal.

Please dispose of the packaging material in the usual collection containers for cardboard, paper, and plastics for your region.