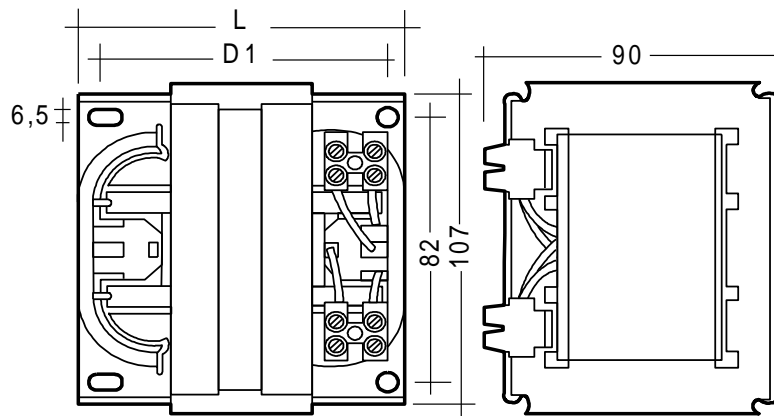


BALLAST	TECHNICAL DATA	Type	OGLS 600W 100 220-240/50 100A154 TP
---------	----------------	------	-------------------------------------



Ballast for HS lamps

OGLS 600W 100 220-240/50 100A154 TP Ord. No. 144172

Standards		EN 60923, EN 61347
Directives		RoHS - 2011/65/EU
Declarations		CE
Approvals		ENEC 11
Lamp	Type	HS 600W 6,2A
Network (line voltage)	V / Hz	220; 230; 240 / 50
Current	A	6,2
Losses - warm	W	35
$\cos\phi_{in}$	-	0,44/0,46
η	%	>92% - A2
$tw/\Delta tn$	K	130/ 65/55
Thermal protection		Yes
L	mm	154
D1	mm	140
Weight	Kg	6,655
Packing	Pcs./Carton	3
Packing	Pcs./Pallet	108
Impregnation		Vacuum impregnated with polyester resin