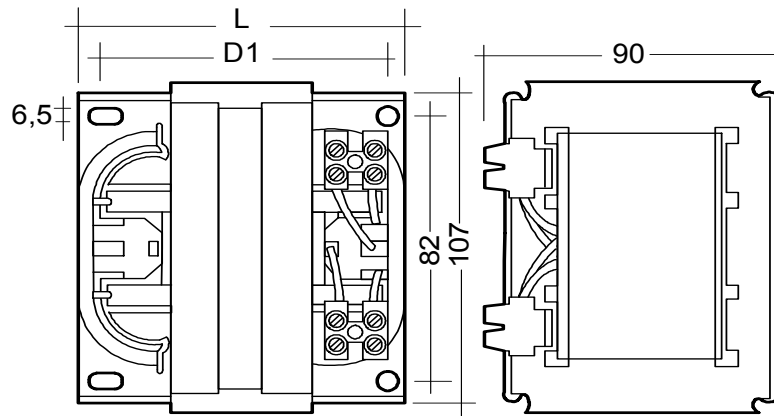


BALLAST	TECHNICAL DATA	Type	OGLIS 250W 40 230-250/50 040A094 TP
---------	----------------	------	-------------------------------------



Ballast for HI; HS lamps

OGLIS 250W 40 230-250/50 040A094 TP Ord. No. 144166

Standards	EN 60923, EN 61347
Directives	RoHS - 2011/65/EU
Declarations	CE
Approvals	

Lamp	Type	HI; HS 250W 3A
------	------	----------------

Network (line voltage)	V / Hz	230; 240; 250 / 50
------------------------	--------	--------------------

Current	A	3
---------	---	---

Losses - warm	W	25,5
---------------	---	------

cosφ ind	-	0,39
----------	---	------

Efficiency classification		A2
---------------------------	--	----

tw/Δtn	K	130/ 70
--------	---	---------

Thermal protection		Yes
--------------------	--	-----

L	mm	94
---	----	----

D1	mm	80
----	----	----

Weight	Kg	3,128
--------	----	-------

Packing	Pcs./Carton	6
---------	-------------	---

Packing	Pcs./Pallet	216
---------	-------------	-----

Impregnation		Vacuum impregnated with polyester resin
--------------	--	---