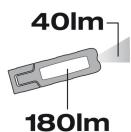


LEDinspect PRO 180

Inspection lights



Different light functions

3 light functions: 180 lm (high) / 80 lm (low) / 40 lm (flashlight)



3 * AAA battery

Including batteries and ready for use immediately after purchase



Water- and dirt repellent

Protection against the ingress of particles with $\varnothing \geq 1.0$ mm and against splash water according to IP44 Impact resistance according to IK06



Light is versatile

This high-quality inspection light is perfect for professional and private use. For a variety of applications e.g. the lighting of narrow spaces and hard-to-reach areas. With three light functions - high, low and torchlight function, 16 LEDs (main light), 1 LED (torchlight) and up to 6000 Kelvin and the included 3 * AAA Batteries, this compact light has an operating time of up to 2 h (high) or up to 6h (low). With the IP protection class IP44, this luminaire has protection against the ingress of particles with $\varnothing \geq 1.0$ mm and against splash water and is impact resistant according to IK06. This LED light is easy to transport, has a non-slip and dirt-repellent surface, contains an integrated hook & magnets for hands-free work and easy attachment and is therefore ideal as a light for manual activities, car repairs and in everyday life. In addition, OSRAM grants a 2-year guarantee on this product.*

Product datasheet

Technical data

Product information

Order reference	LEDILPRO 180
Application (Category and Product specific)	LED inspection lights for personal use

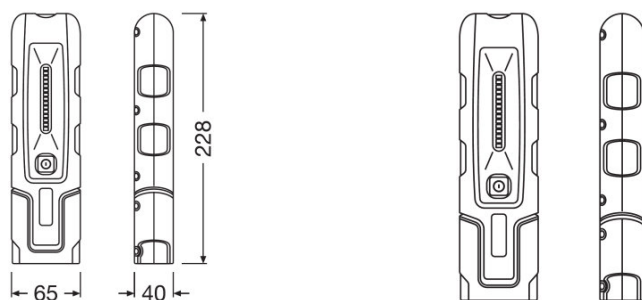
Electrical data

Nominal wattage	2.20 W
Nominal voltage	4.5 V

Photometrical data

Color temperature	6000 K
Luminous flux	180/40 lm
Light color LED	White

Dimensions & weight



Product weight	290.00 g
Length	228.0 mm
Width	65.0 mm
Height	40.0 mm

Colors & materials

Base color	Black
------------	-------

Lifespan

Guarantee	2 years
-----------	---------

Additional product data

Type of Battery	dry battery
-----------------	-------------

Product datasheet

Number of included batteries	3XAAA
------------------------------	-------

Capabilities

Technology	LED ¹⁾
------------	-------------------

¹⁾ Light-emitting diode lamp

Certificates & standards

Type of protection	IP44
Standards	CE

Country specific categorizations



Order reference	LEDILPRO 180
-----------------	--------------

Logistical Data

Product code	Product description	Packaging unit (Pieces/Unit)	Dimensions (length x width x height)	Volume	Gross weight
4062172092302	INSPECTION LAMP	Folding carton box 1	- x - x -		
4062172125956	INSPECTION LAMP	Shipping carton box 10	233 mm x 160 mm x 284 mm	10.59 dm ³	3696.00 g

The mentioned product code describes the smallest quantity unit which can be ordered. One shipping unit can contain one or more single products. When placing an order, for the quantity please enter single or multiples of a shipping unit.

Download Data

File
 User instruction LEDinspect BASIC PROFESSIONAL 180
 360 Degree Image TL1158

Application advice:

For more detailed application information and graphics please see product datasheet.

Disclaimer:

Subject to change without notice. Errors and omission excepted. Always make sure to use the most recent release.

*for precise conditions please refer to:

www.osram.com/am-guarantee

Application advice

Product datasheet

For more detailed application information and graphics please see product datasheet.

Disclaimer

Subject to change without notice. Errors and omission excepted. Always make sure to use the most recent release.

The OSRAM logo is displayed in a bold, orange, sans-serif font.